

# Cartridge housings



AstroPore cartridge housings are ideal for the filtration of extremely purified water, pharmaceuticals, foodstuffs, air, or gases with a variety of products designed to meet the expectations of filtration processes with a wide range of flow rates.

**The wealth of options provided by FUJIFILM's filtration systems ensures full utilization of the flow and filtration performance of the microfilter cartridges.**

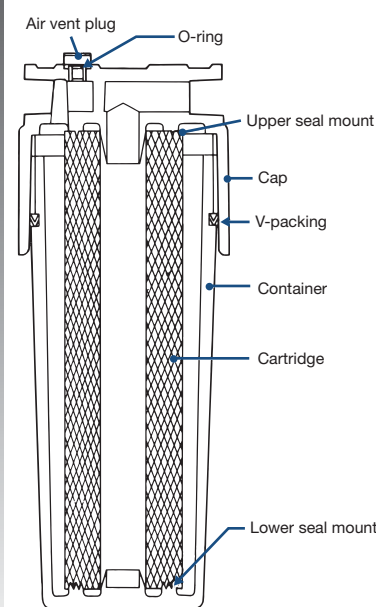
A wide variety of AstroPore cartridge housing models covers various filtration needs. Combinations of the materials (SUS 304, 316, 316L), and the pipe arrangement method (sanitary clamps, JIS flanges, union joints, etc) permits filtering system configurations to best fit to your purpose. Options are available for customized housing designs.

**FP-20** For type G cartridges  
Housing (Transparent plastic)

- The transparent plastic container helps identifying the location of clogging immediately after it occurs.
- The cartridge best suited to the purpose can be selected.
- The V-packing prevents water leakage effectively, even with a low tightening force.
- An air vent port facilitates operation.
- A mounting fittings is provided for simple installation.

**Specific Features**

Dimensions: 115 mmø x 300 mm H (approx.)  
Diameter: Rc 3/4 (20A)  
Pressure resistance: 0.49 MPa  
Operational temperature limit: 40°C  
Materials: ABS resin (cap), AS resin (case), NBR (packing, O-ring)  
Plug: Air vent (with O-ring)  
Accessories: 1 Mounting fitting, 2 bolts, 3 wood screws



**FPM** For type M cartridges  
All-Polypropylene Filter Housing

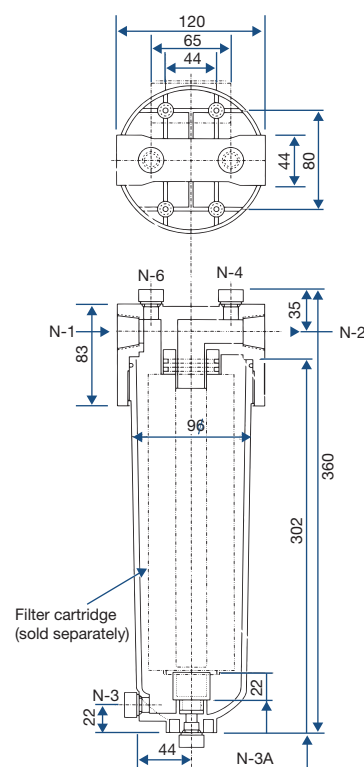
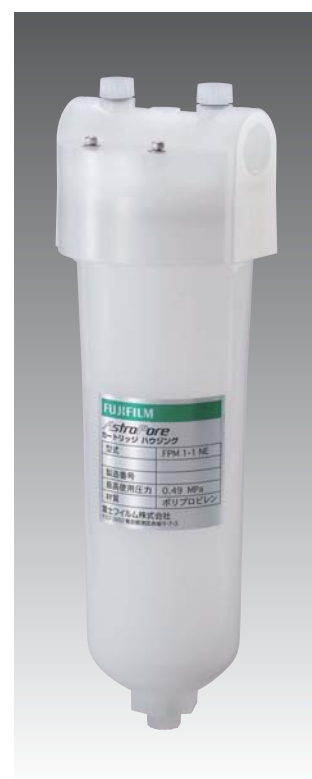
Polypropylene assures excellent chemical stability.

**Specific Features**

Dimensions: see figure  
Diameter: see table  
Pressure resistance: 0.49 MPa  
Operational temperature limit: 60°C  
Materials: Polypropylene (main body), EPDM (O-ring)

Designation	Type	FPM1-1NE
N-1 Inlet		Rc3/4 (20A)
N-2 Outlet		Rc3/4 (20A)
N-3 Drain		Rc1/4 (8A)
N-4 Primary vent		Rc1/4 (8A)
N-6 Secondary vent		Rc1/4 (8A)
N-3A Drain		Rc1/4 (8A)

\* Type M cartridge: 222 O-ring, SOE (single open end)



**FSG, FSM** Housings (standard types, stainless steel)

- Designed for general uses
- An extensive variety offered

**Specific Features**

Dimensions: see table  
Diameter: see table  
Pressure resistance: 0.49 MPa  
Service temperature limit: Lower than 100°C  
Materials: SUS 304, 316 stainless steel (main body), silicone (packing, standard)

**Adaptive Elements**

Type G cartridge (with gasket): Type FSG housing  
Type M cartridge (with 222 O-ring, SOE): Type FSH housing

Notes:  
1) Adapters and optional parts are also available.  
2) Customized housing design and manufacturing are offered for non-standard applications. Please contact us for large-sized designs and custom specifications.

Number of cartridges mounted	1			3		6		
	Type	FSG1-1 20PA FSM1-1 20PA	FSG1-2 20PA FSM1-2 20PA	FSG1-3 20PA FSM1-3 20PA	FSG3-2 40PA FSM3-2 40PA	FSG3-3 40PA FSM3-3 40PA	FSG6-2 50PA FSM6-2 50PA	FSG6-3 50PA FSM6-3 50PA
Designation								
A	(mm)	431	685	939	935	1185	950	1200
B	(mm)	365	619	873	350	350	365	365
C	(mm)	ø86.6 (Outline)			ø170 (Outline)		ø250 (Outline)	
D	(mm)	120			240		235	
E	(mm)				220		310	
F	(mm)				250		320	
G	(mm)				4-ø12		4-ø12	
N-1	Inlet	Rc3/4 (20A)			Rc1-1/2 (40A)		Rc2 (50A)	
N-2	Outlet	G1/4 (8A) (Knurled plug)			Rc3/4 (20A)		Rc3/4 (20A)	
N-3	Drain				G1/4 (Knurled plug)		G1/4 (Knurled plug)	
N-4	Vent	Rp1/4 (8A)			Rp1/4 (8A)		Rp1/4 (8A)	
Pressure gauge	Nozzle							
Number of cartridges (as 250 mm-long cartridges)		1	2	3	6	9	12	18
Service weight in kg (approx.)		3.5	5.5	7.5	28	35	55	70

